



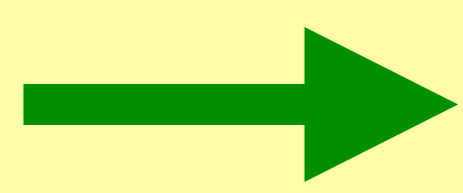
LAL, Univ Paris-Sud, IN2P3/CNRS, Orsay, France

From Volunteer Computing To Volunteer Cloud

Oleg LODYGENSKY lodygens@lal.in2p3.fr	Gilles FEDAK gilles.fedak@inria.fr	Laurent DUFLOT duflot@lal.in2p3.fr	Peter KACSUK kacsuk@sztaki.hu
Etienne URBAH urbah@lal.in2p3.fr	Simon DELAMARE simon.delamare@inria.fr	Xavier GARRIDO garrido@lal.in2p3.fr	Jozsef KOVACS smith@sztaki.hu
Simon DADOUN simon.dadoun@dr4.cnrs.fr	Derrick KONDO derrick.kondo@inria.fr	Anthony SIMONET anthony.simonet@inria.fr	Zoltan FARKAS zfarkas@sztaki.hu

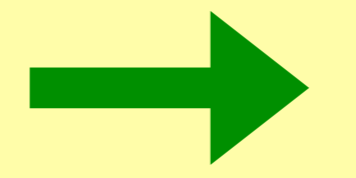
How can Users submit to Desktop Grids ?

Virtual Machines



✓ FlyingGrid by XtremWeb-HEP

Legacy Applications



✓ GBAC by SZTAKI DG

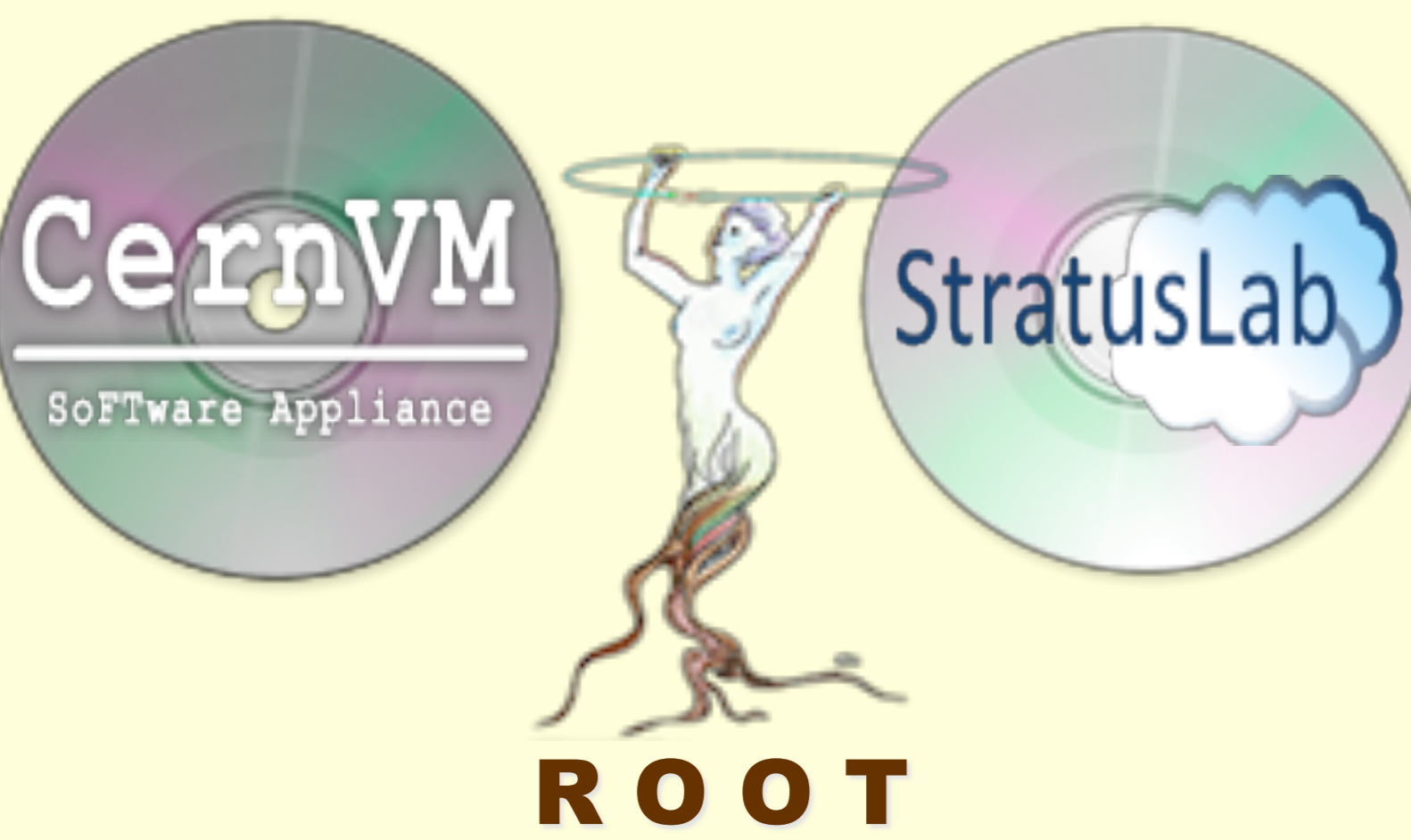
FlyingGrid by XtremWeb-HEP

Administrator

<http://www.flyinggrid.org/>

User PC

Use cases and Applications :



SuperNemo



XtremWeb-HEP Server

Centralized and secured Services store Applications and Data :



- Scheduler
- Repository
- etc.

Volunteer PC with VirtualBox installed



User VM
User Application

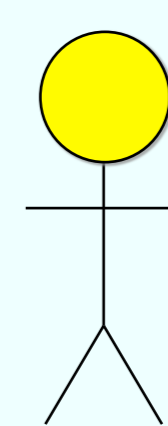
Remote Execution

FlyingGrid permits Users to submit Virtual Machines to Desktop Grids powered by XtremWeb-HEP

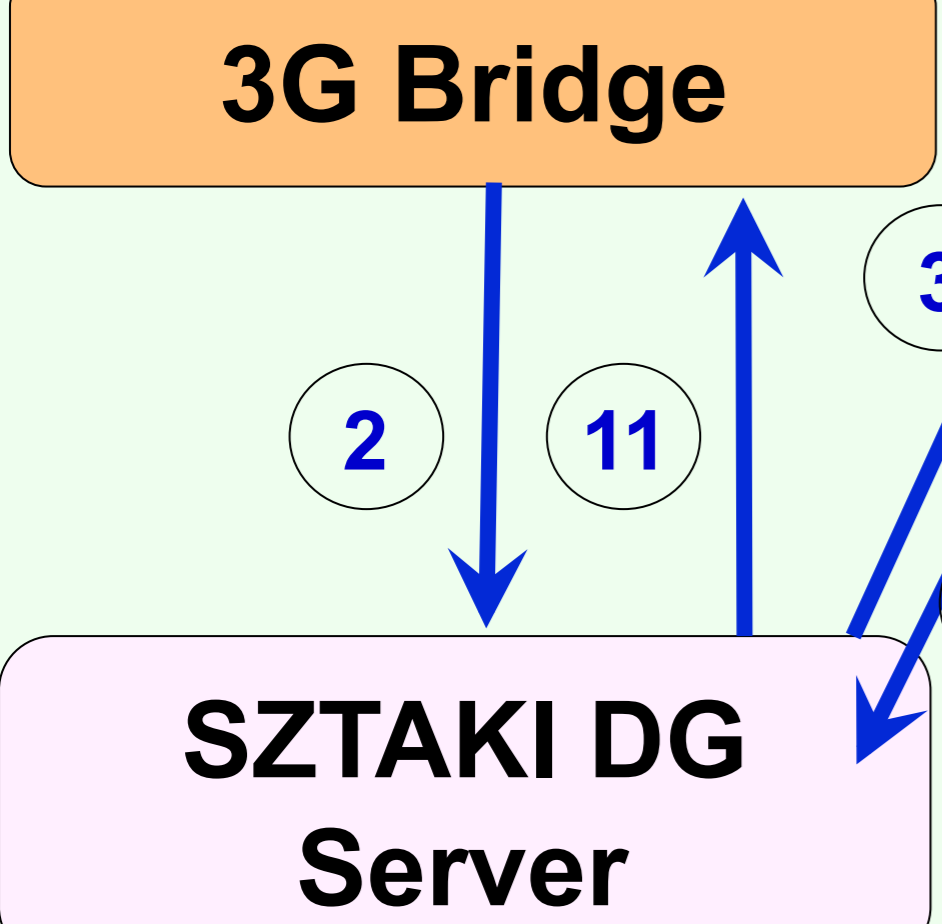
Scientist



Citizen



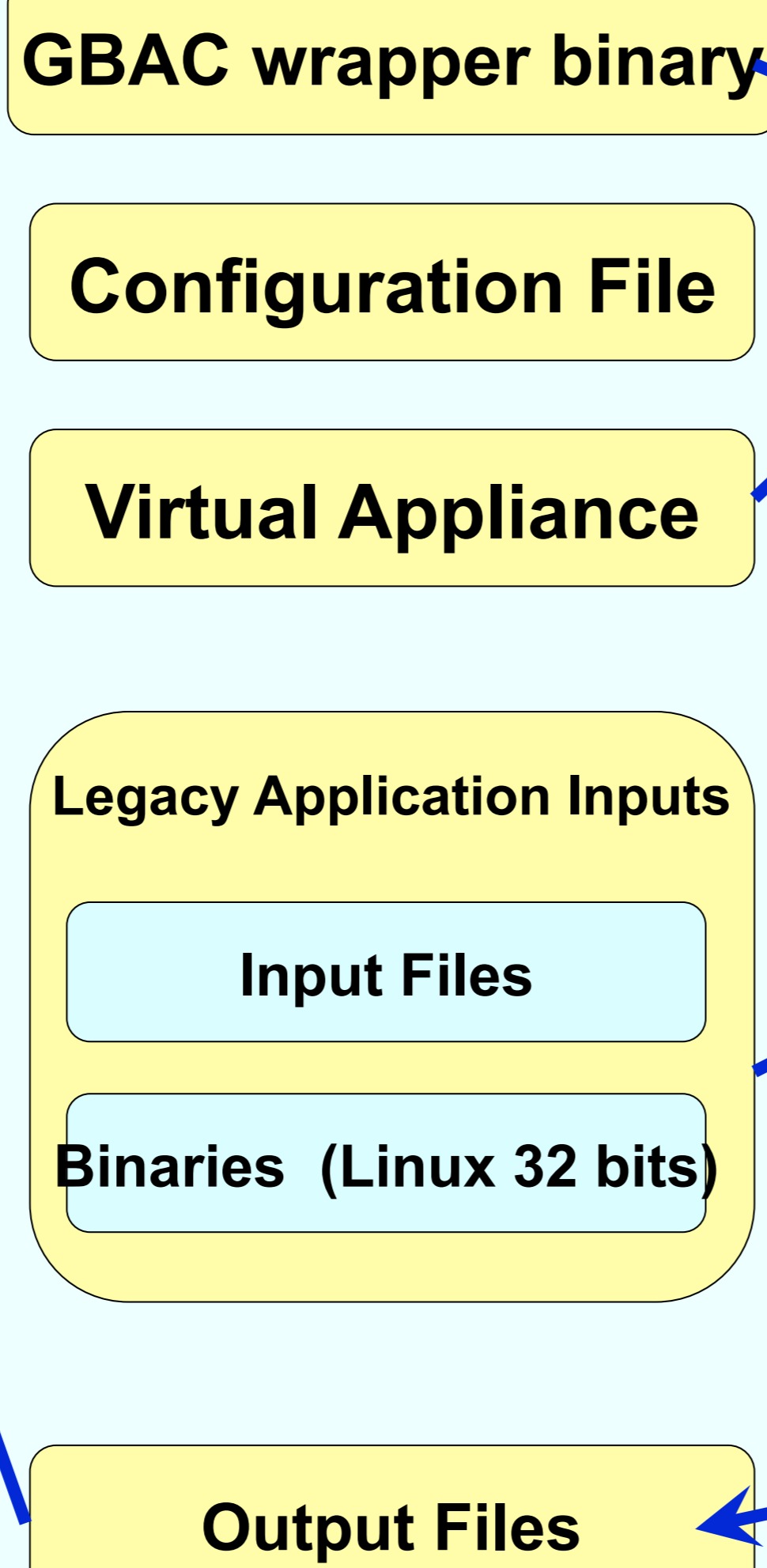
GBAC by SZTAKI DG



GBAC permits Users to submit Legacy Applications to Desktop Grids powered by SZTAKI DG

Volunteer PC

SZTAKI DG Client



VirtualBox

Virtual Machine

